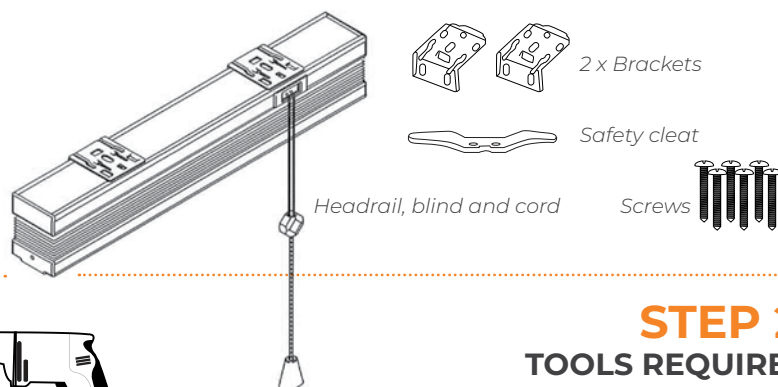


# How to fit your CELLULAR BLIND

## STEP 1: BEFORE YOU START

Please read all instructions carefully and check the contents of your package.

Check the measurements of your blinds against your order, remembering the factory will have made a small allowance for fitting.



## STEP 2: TOOLS REQUIRED

Ensure you have all the tools required.

You will need a metal tape measure, pencil, screwdriver, drill and step ladder.

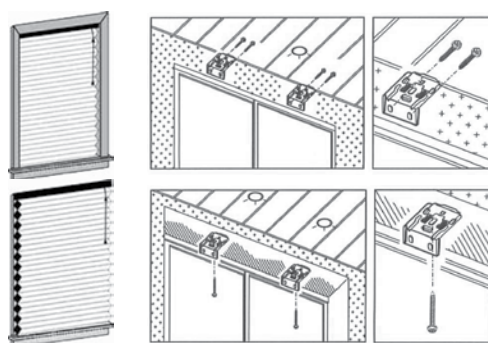
Standard screws are supplied as part of your package. Wall plugs, toggles and other fasteners may be required. Remember: safety first at all times!

## STEP 3: FITTING THE BRACKETS

Your cellular blinds can be installed to fit inside or outside your window frame.

1. Position the bracket on the headrail prior to mounting to become familiar with the way they fit.
2. Engage the hook at the bracket front with the ridge on the top surface of the headrail.
3. Push up on the bottom rear portion of the bracket until the headrail snaps into place.

For safety and support fit all brackets provided.



## ATTACH BRACKETS TO MOUNTING SURFACE

### Inside Mount

Mount the brackets to the top of the window frame and 50mm in from the edge of the window frame. Make sure the brackets are aligned with one another.

### Outside Mount

Centre the shade over the window opening at the desired height. Mark the position of the ends of the headrail on the wall. Attach the mounting brackets to the wall 50mm in from the marks making sure the mounting brackets are level with one another.

## STEP 4: HANGING THE BLIND

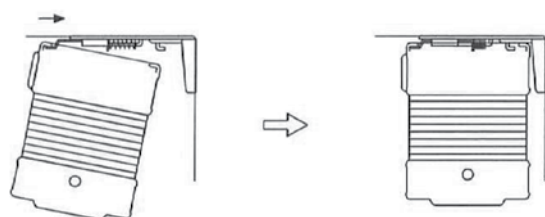
### 1. INSERTING THE HEADRAIL

#### Inside Mount

Firmly push the back of the headrail into the tab of each bracket. Push up on the bottom rear portion of the headrail to engage the hook at the bracket front.

#### Outside Mount

Engage the hook on the bracket front with the ridge on the top surface of the headrail. Push up on the bottom rear portion of the headrail until the headrail snaps into place.



### 2. ATTACHING THE OPTIONAL HOLD DOWN BRACKETS

Hold down brackets are used on the ends of the bottom rail to keep the blind from swaying. They are used on applications such as doors or on frequently opened windows to prevent the wind from blowing the shade around. They are available at no extra charge but must be requested at the time of order placement.

## STEP 5: STEPS TO PROTECT CHILDREN



To avoid creating a possible strangulation hazard for children, the corded internal window covering must be installed in such a way that a loose cord cannot form a loop 220mm or longer at a height of less than 1600mm above floor level.

A cord guide may be installed lower than 1600mm if the cord is sufficiently secured to prevent a loop 220mm or longer being formed, and it must be designed to prevent a child from being able to remove the cord. If a cleat is used to secure the cord it must be at least 1600mm above floor level because a child is capable of unwinding a cord from a cleat.

For more information visit [productsafety.com.au](http://productsafety.com.au)

**IMPORTANT!**

## STEP 6: HOW TO OPERATE

To lower the blind, pull the cord down and toward the centre of the blind to unlock the cord. While holding the cord toward the centre lower the blind to the desired position. Move the cord back past the outside edge of the blind and release to lock the blind into position.