



Easy step-by-step way to measure your windows:

1. Only use a steel measuring tape.
2. Measurement must be accurate.
3. Always measure the width first and write it down before measuring the drop.
4. Measure the drop and write it down.
5. Now re-check your width and drop measurements.

OUTSIDE MOUNT OR FACE FIX BLIND

The blind hangs outside the window opening and covers an area larger than the window itself.

Width Measurement

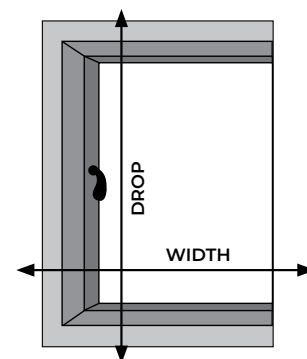
Without wood frame or architrave - measure the width you require to cover. For greater privacy measure 50mm past either side of the window opening.

With wood frame or architrave - measure the width you require to cover. Measure 50mm past either side of the window opening even if the 50mm passes the wood frame or architrave.

Drop Measurement

Without wood frame or architrave - measure the drop you require to cover. For greater privacy measure 50mm past top and bottom - or to the top of the sill or to the floor.

With wood frame or architrave - measure the drop you require to cover. Measure from the top of the architrave to 50mm past the bottom architrave for greater privacy - or to the bottom of a protruding sill or to the floor. Measure three-drop measurements. Left side, the middle and the right side and only write down the smallest measurement of the three. This is to ensure that the window is not out of square.



INSIDE MOUNT OR RECESS BLIND

The blind hangs inside the window frame and covers the window opening exactly.

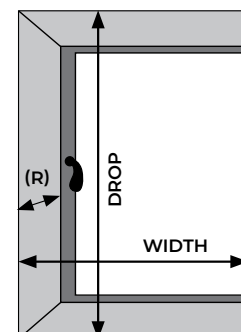
Width Measurements

Measure the exact width at three points on the window - top, middle and bottom portion to ensure that the window is not out of square. Only write down the smallest measurement.

Drop Measurement

Measure the exact drop measurements at three points on the window - left side, middle and right side to ensure that the window is not out of square. Only write down the smallest measurement.

NOTE: Measure depth of recess to ensure that the Venetian blind has adequate room to operate - rotate and draw, allowing 50mm for any door or window handles.



CELLULAR BLIND CONTROLS

Check your window or sliding door opening before making your selection.

- If it opens left to right, select cellular blind controls to be on the right side. This is called right control.
- If it opens right to left, select the cellular blind controls to be on the left side. This is called left control.
- Sliding doors left side opening - two cellular blinds are required. Left side Cellular blind with left hand control. Right side cellular is recommended to have left hand control so as to avoid having the controls hanging over the door opening.
- Sliding door right side opening - two cellular blinds are required. Right side cellular blind with right side control. Left side cellular is recommended to have right hand controls so as to avoid having the controls hanging over the door opening.
- If the window or sliding door opens from the centre to each end, this is called a centre-opening window. It is recommended that three cellular blinds are used for this window or sliding door opening.

IMPORTANT: Only supply exact measurements in millimetres.
The factory will make allowances to ensure a proper fit.