

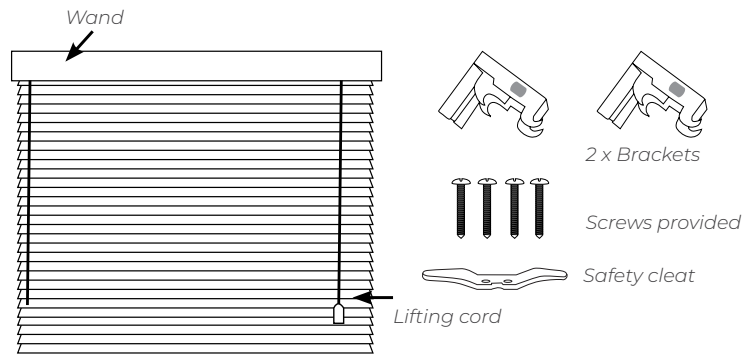
How to fit your ALUMINIUM VENETIAN BLIND

The **Online**
Blinds Gallery

STEP 1: BEFORE YOU START

Please read all instructions carefully and check the contents of your package.

Check the measurements of your blinds against your order, remembering the factory will have made a small allowance for fitting.



STEP 2: TOOLS REQUIRED

Ensure you have all the tools required.

You will need a metal tape measure, pencil, screwdriver, drill and step ladder.

Standard screws are supplied as part of your package. Wall plugs, toggles and other fasteners may be required. Remember: safety first at all times!

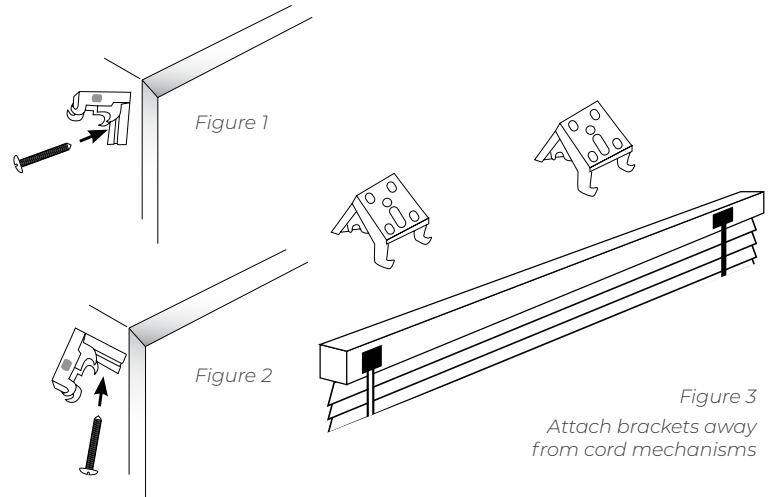
STEP 3: FITTING THE BRACKETS

Your aluminium venetian blind can be installed to fit inside or outside your window frame.

Figure 1. Outside mounting: window frame or wall mounting
Figure 2. Ceiling mounting

1. Hold the headrail and blind (with brackets) in position, ensuring the headrail is level.
2. Mark the position of the brackets (see figure 3) then remove the headrail and blind
3. Holding the brackets in place mark the position of screw holes through each bracket.
4. Attach the brackets with screws through the mounting holes.

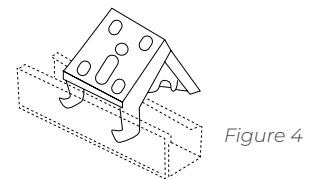
For safety and support fit all brackets provided.



STEP 4: HANGING THE BLIND

Pick up the blind and clip front of headrail into mounting brackets (see figure 4). Rotate the headrail up into the rear of headrail and push back into the bracket to lock into place. To release, blind push back and tilt headrail downwards.

Make sure the blind cords and the tilting wand face toward you.



STEP 5: STEPS TO PROTECT CHILDREN



IMPORTANT!

To avoid creating a possible strangulation hazard for children, the corded internal window covering must be installed in such a way that a loose cord cannot form a loop 220mm or longer at a height of less than 1600mm above floor level.

A cord guide may be installed lower than 1600mm if the cord is sufficiently secured to prevent a loop 220mm or longer being formed, and it must be designed to prevent a child from being able to remove the cord. If a cleat is used to secure the cord it must be at least 1600mm above floor level because a child is capable of unwinding a cord from a cleat.

For more information visit productsafety.com.au

STEP 6: HOW TO OPERATE

To open/raise blind using the cord, draw blind down and up to ensure blind operates correctly. To rotate blind, rotate wand to attain desired slat positions.

Caution: When slats are closed, stop twisting wand, continuing to twist wand in the same direction may damage the rotator.

If you have any questions please contact our customer service team on **1800 233 277**

Components and hardware may change from time to time